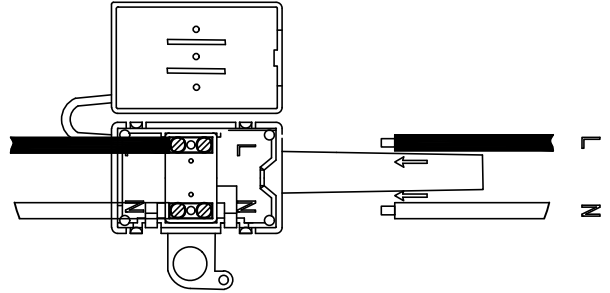
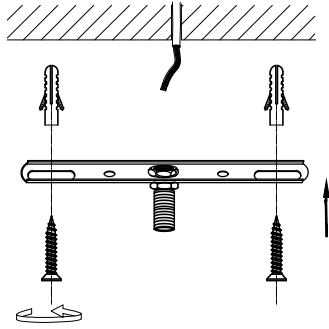
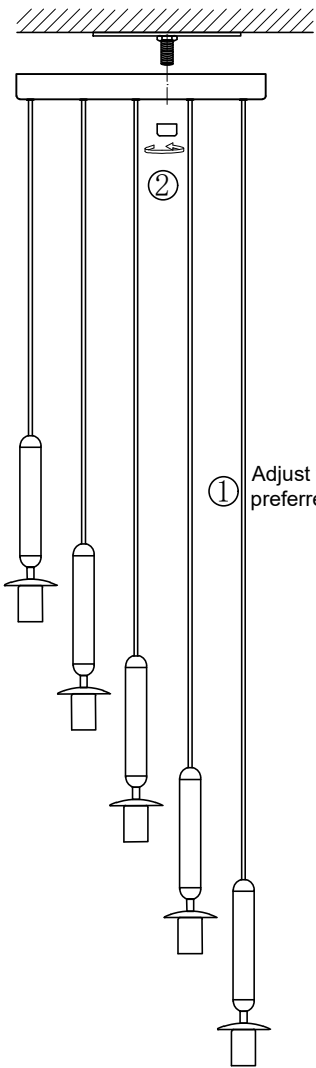


A

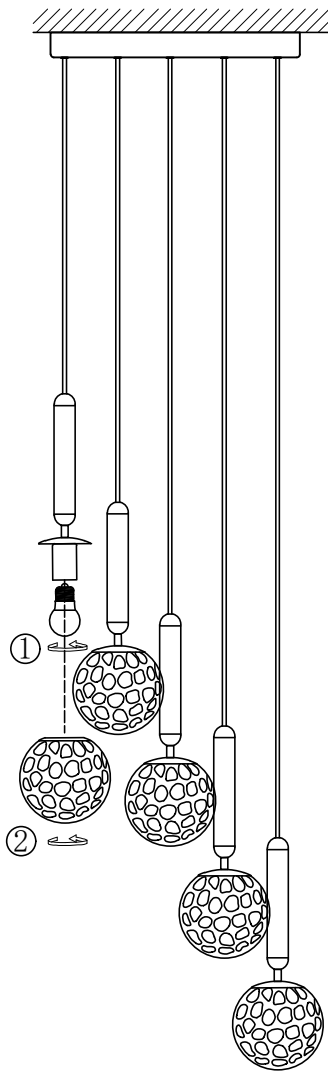


B

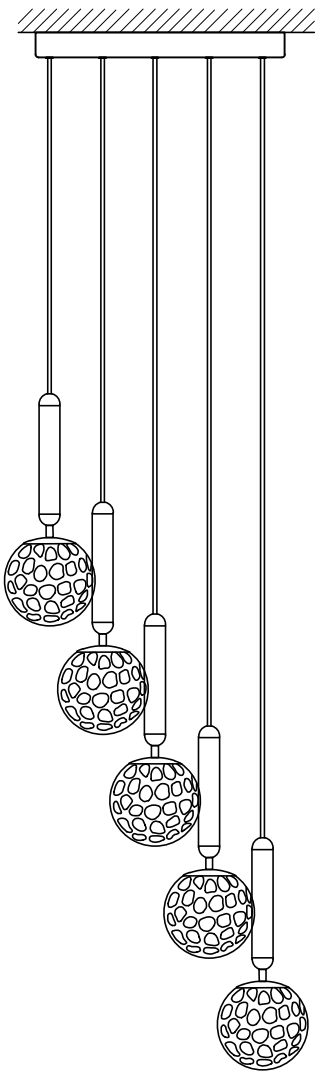


① Adjust the wire to preferred height.

C



D



E