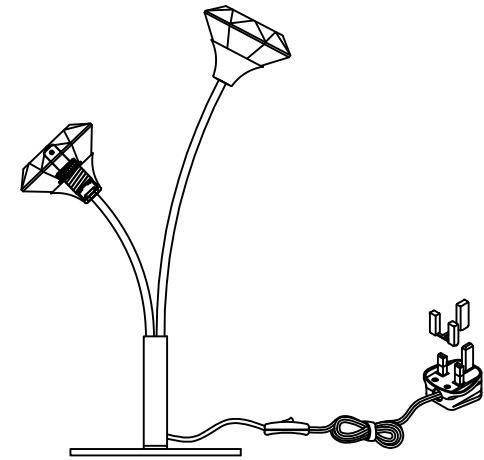
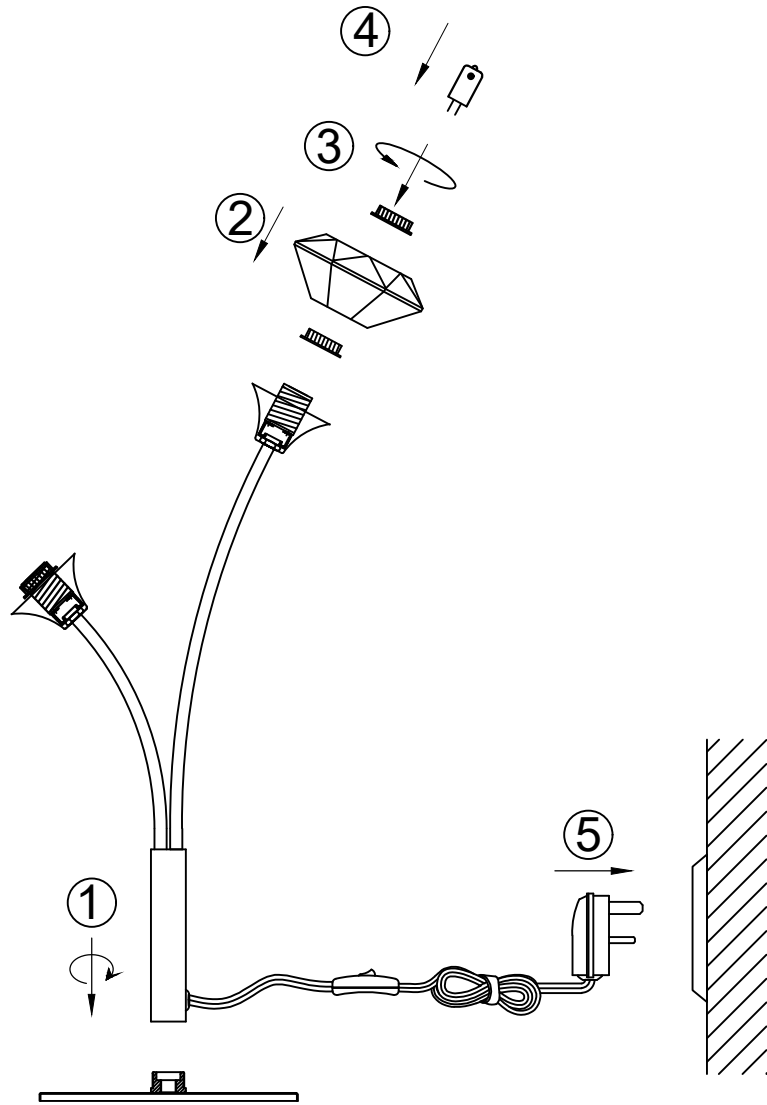


INSTRUCTIONS



NOTE:

- 1: This lamp can be used indoor only.
- 2: Power off before installation.
- 3: Turn off the switch and wait for the bulb to cool before replacing the bulbs.

REF: BL12816
BL12817
BL12818