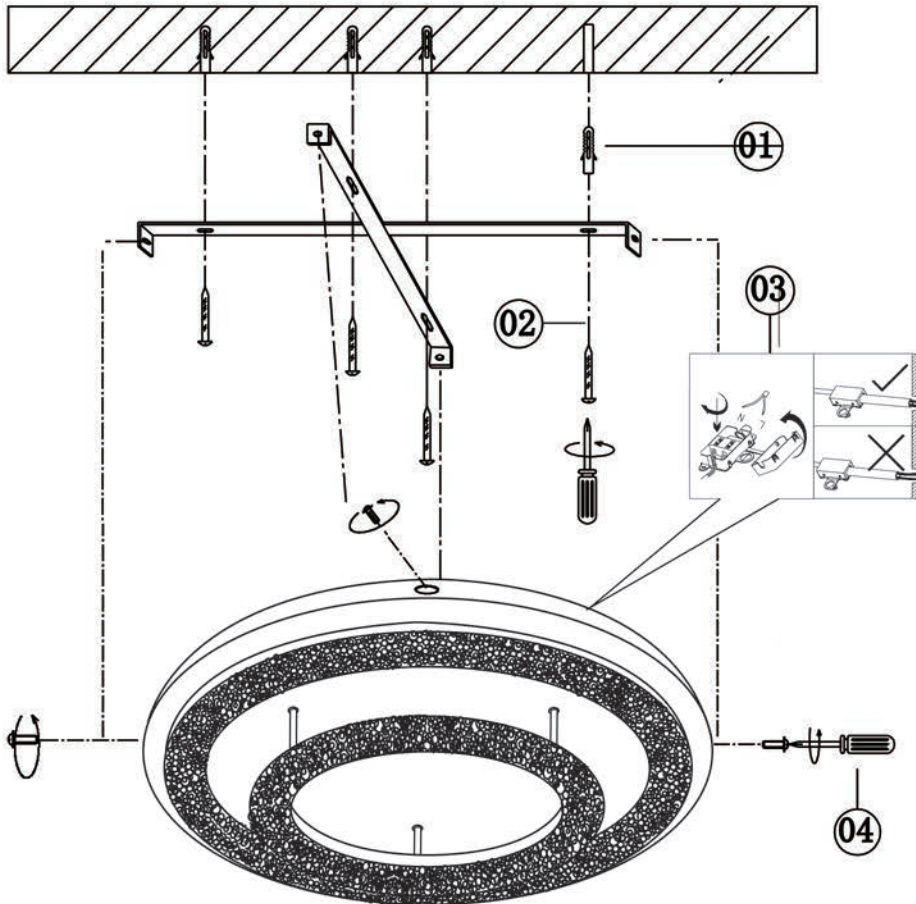
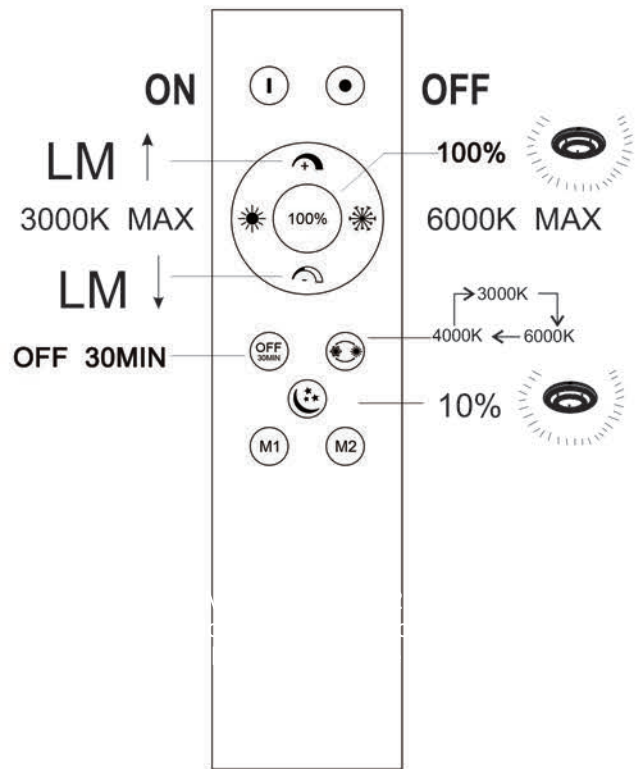


B

BL12406



REMARKS: "M1 ,M2"
Hold for 3 seconds to save, then press the button to change the brightness

To pair the light with remote control:

1. Press and hold the ON button (I) on remote control.
2. Switch on the light from switch on wall.
3. The light will flash twice.
4. Release the ON button, switch off the light.
5. Switch the light back on.
6. Press and hold the ON button for 3 seconds.

The remote control should now be paired with the light.
Please operate the remote control within 15 meters distance of the light

