


PRODUCT CODE: 1242P

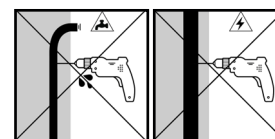
BULB TYPE: E27

WATTAGE: MAX 60W

SAFETY INSTRUCTIONS FOR USER

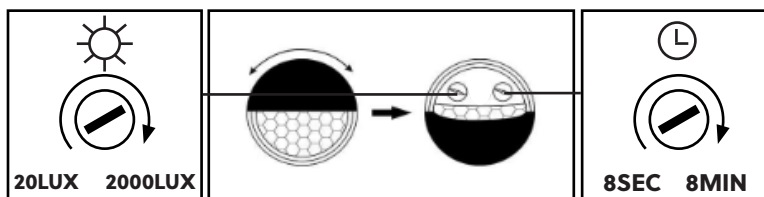
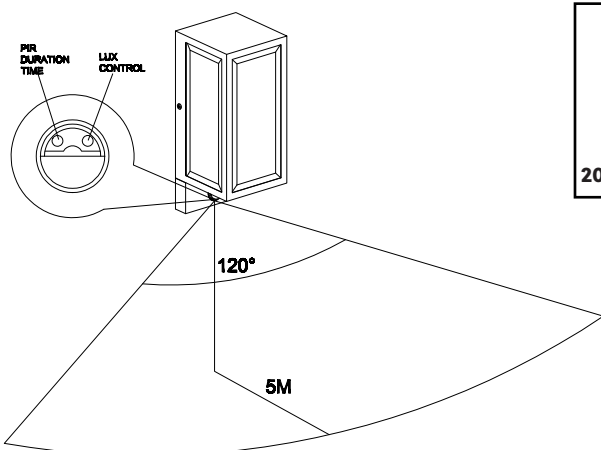
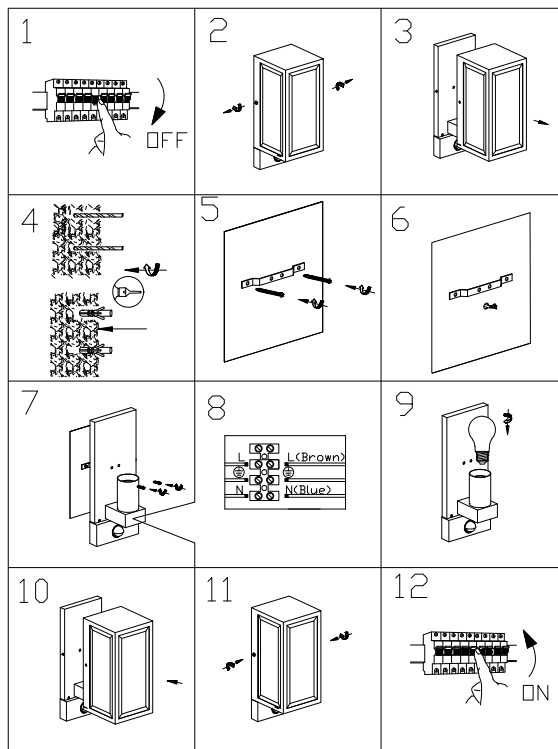
- Please read these safety instructions carefully prior to installation and retain them for future reference. We recommend that the fitting is installed by a qualified electrician.
- Before installation, please turn off the main power and do not turn it back on until installation is complete.
- When drilling holes to mount the fitting, please take care not to damage any wires or pipes.
- If any damage occurs to this fitting discontinue use immediately.
- This fitting must only be used for its intended purpose. Any modifications made to the fitting will void the warranty.
- This is a class 1  fitting and **must** be connected to the earth cable (yellow and green cable).

The manufacturer/distributor accepts no responsibility for any damage caused by the improper use or installation of this item.



INSTALLATION INSTRUCTIONS

Please carefully follow the instructions below:



Light on duration adjustment: 10s - 8 MINS
LUX range adjustment: 20-2000LUX

Detection angle: 120°
Detection range: 5m